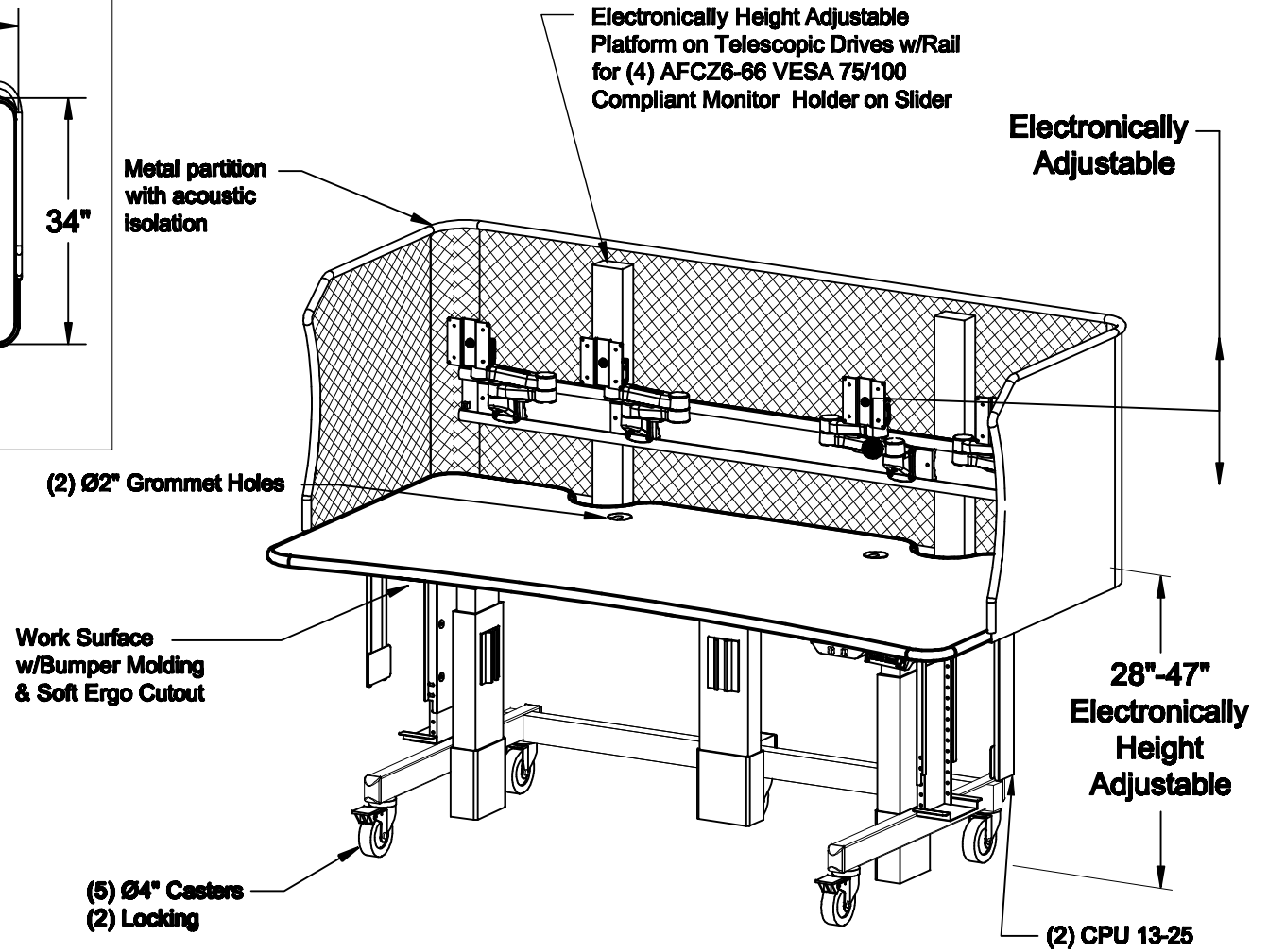


TOP VIEW
SCALE: 1/2" = 1' - 0"



ISOMETRIC VIEW

NOTES :

MATERIAL :

TOLERANCES UNLESS OTHERWISE SPECIFIED

FRACTIONAL ±1/64
2 PLC. DEC. ±.01
3PLC. DEC. ±.001
ANGULAR
FINISH



DRAWN BY: BD/YN

DATE: 12/13/13

DESCRIPTION :

Ergo Tier Cart

USED ON :

PATH:
\\Fin.Assy\MaxFlex\ErgoTier\ET-ZX1

PDF NAME:
ET7234PA_B_SE_0_4FZ_2C_0_0_01

REV: SIZE
. A

A P P R O V E D

ENG :

MFG :

QA :

SCALE: ~3/4" = 1' - 0"

SHEET: 1 OF 1