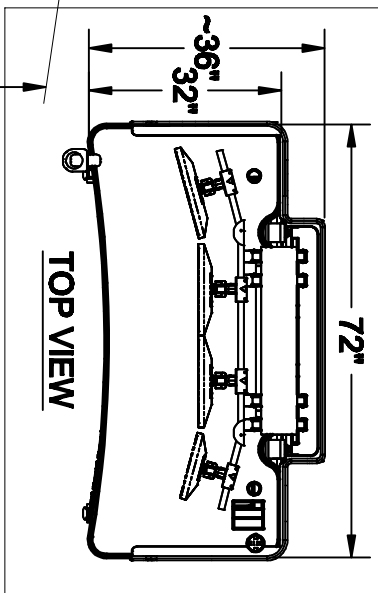


ISOMETRIC VIEW



TOP VIEW

- 1 ERGO ARMS FOR FOUR MONITORS WITH (4)AFC17H WITH MANUAL RETRACTION
 - 2 METAL PARTITION WITH ACOUSTIC ISOLATION
 - 3 CUP HOLDER
 - 4 (2) 13"WX16" BOTTOM SHELVES
 - 5 (2) CPU-07
 - 6 (2)WMI-F200 w/ Ø2" Grommet
 - 7 (5)4" CASTERS
 - 8 (2) LOCKING
 - 9 USB HUB
 - 10 LED BACK LIGHT
- 28"-47" Electronically Height Adjustable
- Electronically Height Adjustable

NOTES:	MATERIAL:	DATE: 05-15-17
	DRAWN BY: YNGM	

Monitor specs to be provided prior to production

A P P R O V E D		DESCRIPTION:
ENG:		WHITESTONE WORKSTATION
MFG:		USED ON:
QA:		
SCALE:		

TOLERANCES UNLESS OTHERWISE SPECIFIED
FRACTIONAL ±1/64
2 PL. C. DEC. ±.01
3 PL. C. DEC. ±.001
ANGULAR ±.5°
FINISH

SCALE:	SHEET: 1 OF 1
--------	---------------

PDF NAME:	SIZE
WST1722PA_B SE 0 4FX 2C 0 SB 01	A